



Omni-ID® Exo 700

Omni-ID Exo 700 is a small form factor, high performance RFID tag optimized for attachment to metal assets. Designed as a global product with a durable encapsulation, Exo 700 has excellent vibration performance with an ability to be deployed in harsh industrial and outdoor environments across the globe.

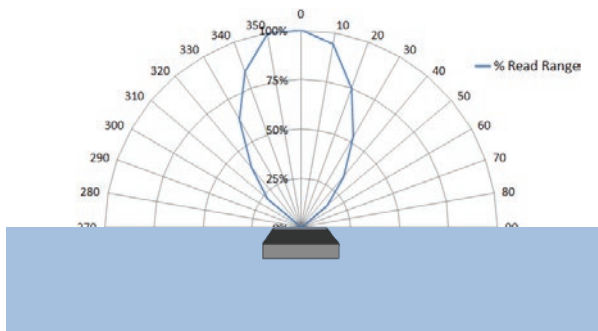
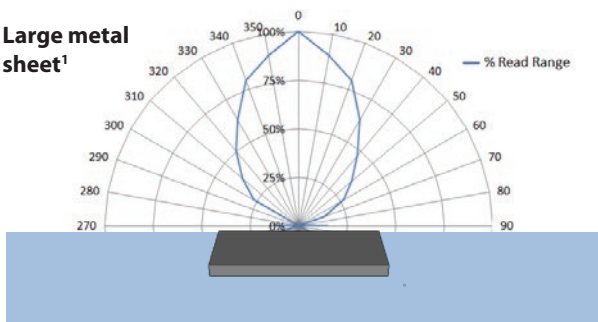
Applications

As the first dual band (ETSI & FCC) ceramic tag, the Exo 700 is ideally suited to track assets that may move location frequently such as:

- ▶ Weapons
- ▶ Tools & Die
- ▶ Industrial Assets
- ▶ Sub Assemblies
- ▶ IT Assets

Radiation Patterns

Large metal sheet¹



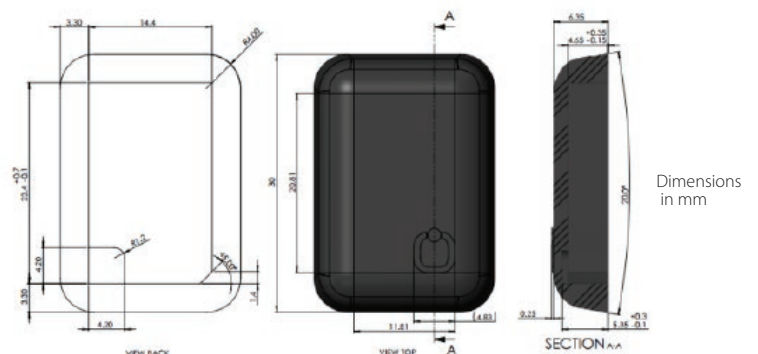
1. Quoted performance achieved using standard test setup using 30 x 30 cm metal sheet. Performance will vary with size of metal sheet.
2. Quoted performance achieved using standard Omni-ID test methodology. Details available upon request.
3. Temperature testing methodology in accordance with BS EN 60068-2-1 and BS EN 60068-2-2.
4. Product designed to meet MIL STD 810-F 60068-2. Please contact Omni-ID for further details.

Specifications

Omni-ID Exo 700

Finish	Durable Thermoplastic Material
Read Range – Fixed Reader ²	Up to 5.5m
Read Range – Handheld Reader ²	Up to 3.5m
On Metal or Balanced	Optimized for metal
Flat version Size (mm)	30 × 21 × 6.35
Flat version Size (in)	1.18 × 0.83 × 0.25
Weight (g)	75.0
Frequency Range (MHz)	865.6-867.6 (ETSI) 915-925 (FCC)
IC Type	Alien Higgs 3
User Memory (bits)	512 bits
Operating Temperature ³	-20 to +85°C
Shock and Vibration ⁴	MIL 810-F
Attachment	Film adhesive (standard)

Dimensions



Dimensions in mm