

Omni-ID[®] Exo 750

Omni-ID Exo 750 is a long range durable RFID tag optimized for attachment to metal assets. Designed with a broad read angle and with a global RF response, Exo 750 is compatible with handheld and portal use cases, anywhere on the globe. Featuring premium materials, Omni-ID Exo 750 offers market leading consistency and reliability in outdoor and industrial applications.

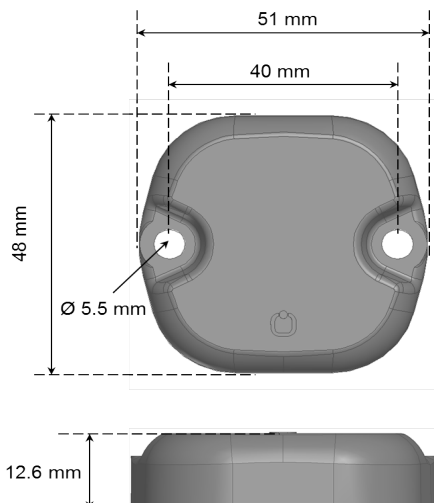
Applications

Based on a rugged construction, square footprint and moderate durability, the Exo 750 is ideally suited to RTI applications in:

- ▶ Automotive supply chain.
- ▶ Logistics and Postal.
- ▶ Manufacturing tote tracking.

Physical Specifications

Encasement	ABS
Size (mm) (tolerance)	51 x 48 x 12.6 (+/-1.0)
Size (in) (tolerance)	2.01 x 1.9 x 0.50 (+/-0.04)
Weight (g)	25.6



Dimensions stated in mm

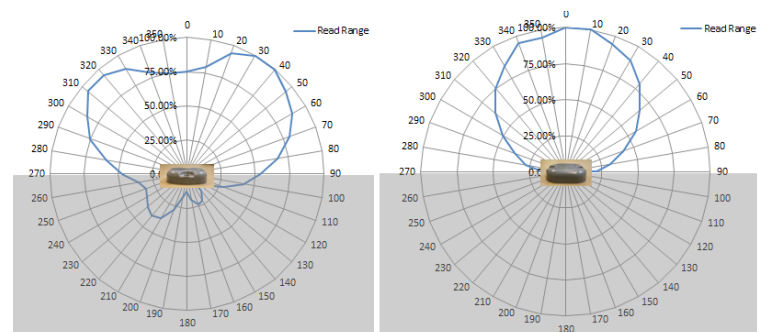
RF Specifications

Protocol	EPC Class 1 Gen2v2
Frequency Range (MHz)	860-930(GS)
Read Range (Fixed reader) ¹	Up to 7m (EU) Up to 11m (US)
Read Range (Handheld reader) ¹	Up to 3.5m (EU) Up to 5m (US)
Material Compatibility	Optimized for metal
IC Type (chip)	Impinj Monza 4QT
Memory ²	EPC - 128bits User - 512bits Unique TID - 48bits

1. Quoted performance achieved using standard testing methodology. Read range will vary with reader hardware and output power.
2. EPC and User memory are reprogrammable, UTID is locked at point of manufacture.

Radiation Patterns

On Metal



Related Products and Services

- ▶ **Omni-ID Exo 400** - Small RFID tag with rugged encapsulation, capable of surviving temperatures to 235 °C.
- ▶ **Omni-ID Exo 600** - High performance, global RFID tag designed to meet the diverse needs of logistics industries.
- ▶ **Omni-ID Exo 800** - Long range passive UHF RFID tag capable of reading on, off, and near metal surfaces
- ▶ **Service Bureau** - Omni-ID offers a full service bureau for printing and pre-encoding Omni-ID tags at point of manufacture.



Environmental Specifications

Storage Temperature	-20 to +85 °C
Operation Temperature ¹	-20 to +85 °C
Survivability	-20 to +85 °C
IP Rating	IP68 Submersion proof to 3000m depth
Shock & Vibration ²	MIL STD 810-G
Attachment	Mechanical (std) Premium foam (option)
Certifications	RoHS approved CE approved ATEX/IECEX certified (option) US&Canada (C1D1/D2) certified (option)
Warranty	3 years

Ordering Information

Order Code	078 - GS
Order Options	:303 (Customization) :304 (ATEX/IECEX certified) :307 (US&Canada (C1D1/D2) certified) :508 (Premium foam) :701 (Standard Service Bureau)

1. Excludes adhesive options, consult adhesive data sheets for recommended temperature ratings.
2. Testing methodology available on request



Omni-ID office locations: US | UK | China | India | Germany
For product or technology inquiries email: sales@omni-id.com