

Omni-ID® Exo 800

Omni-ID Exo 800 is long range passive UHF RFID tag capable of reading on, off, and near metal surfaces. Designed in a surprisingly small form factor, the Omni-ID Exo 800 features a rugged design for long term use in outdoor and industrial environments. New to the Exo 800 is a customization option for a transparent tag that provides full protection for printing within the tag case.

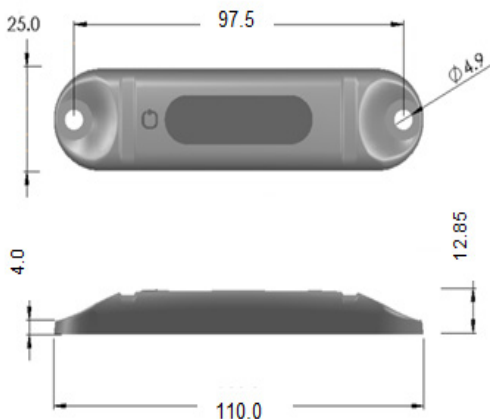
Applications

With a long read range and high durability, the Omni-ID Exo 800 is ideally suited to:

- ▶ Manufacturing tote tracking.
- ▶ Logistics and Postal
- ▶ Retail supply chain

Physical Specifications

Encasement	Grey ABS Rigid Plastic
Size (mm)	110 x 25 x 12.85
Size (in)	4.33 x 0.98 x 0.51
Weight (g)	26.0



Dimensions stated in mm
Note: Grey tag and Transparent tag are the same size

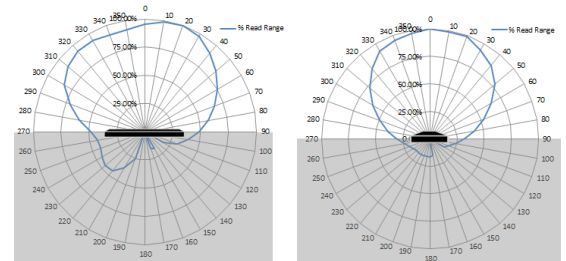
RF Specifications

Protocol	EPC Class 1 Gen2v2
Frequency Range (MHz)	860-930 (GS)
Read Range (Fixed reader) ¹	Up to 8.0m (on) EU & US Up to 6.0m (off) EU & US
Read Range (Handheld reader) ¹	Up to 4.0m (on) EU & US Up to 3.0m (off) EU & US
Material Compatibility	Optimized for Metal
IC Type (chip)	Impinj Monza 4QT
Memory ²	EPC - 128bit User - 512bits Unique TID - 48bits

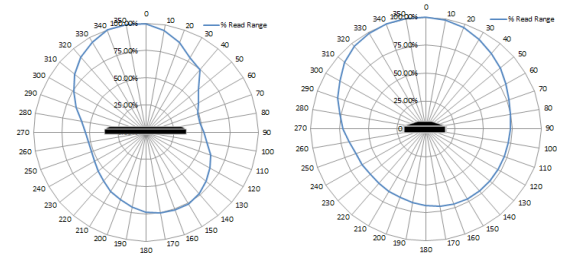
1. Quoted performance achieved using standard testing methodology. Read range will vary with reader hardware and output power.
2. EPC and User memory are reprogrammable, UTID is locked at point of manufacture.

Radiation Patterns

On Metal



On Plastic



Related Products and Services

- ▶ **Omni-ID Exo 400** - Small RFID tag with rugged encapsulation, capable of surviving temperatures to 235 °C.
- ▶ **Omni-ID Exo 600**- High performance, global RFID tag designed to meet the diverse needs of logistics industries.
- ▶ **Omni-ID Exo 1000** - Long read range RFID tag in a small form factor, slightly less rugged, but with a lower cost.
- ▶ **Service Bureau** - Omni-ID offers a full service bureau for printing and pre-encoding Omni-ID tags at point of manufacture.



Environmental Specifications

Storage Temperature¹ -40 ° to +85 °C

Operation Temperature¹ -40 ° to +85 °C




Survivability¹ -40 ° to +85 °C

IP Rating IP68

Shock and Vibration MIL STD 810-G

Impact² 10kg from 1m

Attachment Mechanical (std)
Cable Tie
Premium Foam (option)

Certifications



 RoHS approved
 CE approved
 ATEX/IECEX certified (option)
 US&Canada (C1D1/D2) certified (option)

Warranty 3 years

1. Excludes adhesive options, consult adhesive data sheets for recommended temperature ratings.
2. Testing methodology available on request

Ordering Information

Order Code 077- GS

Option Code :303 (Customization)
 :304 (ATEX/IECEX certified)
 :307 (US&Canada (C1D1/D2) certified)
 :508 (Premium foam)
 :701 (Standard Service Bureau)



Laser Marking is a Standard Service Bureau Option (:701)

Transparent tags offer protection to product marking, Customization Option (:303)

Omni-ID office locations: US | UK | China | India | Germany

For product or technology inquiries email: sales@omni-id.com