



Omni-ID® Link Gateway

The Link Gateway is the distributed brain of our asset management system. Available in 2 versions, the Link Gateway communicates with the View Tags and Power 415 to enable the relay of key data points back to the central server.

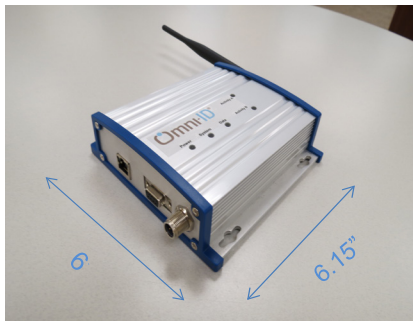
Building Intelligent Supply Chains

The Omni-ID Link Gateway is ideal for the applications requiring asset management such as:

- ▶ Manufacturing
- ▶ Logistics
- ▶ Materials flow
- ▶ Industrial Assets Management

Physical Specifications

Material	Extruded Aluminum
Size (mm)	152.4 x 156.2 x 44.5
Size (in)	6.00 x 6.15 x 1.75
Connections	9 pin D-Sub Serial RJ45
Weight (g)	520
Weight (lbs)	1.15



Power Specifications

Power	4 Pole M12 round A code, 24 VDC
Channels	2 Channels - standard to both versions
Protocol (2 versions)	433.272 MHz Proprietary protocol IEEE 802.15.4 protocol ¹
Read Range	Typically 50m - 300m
Power Consumption (watts)	2-14

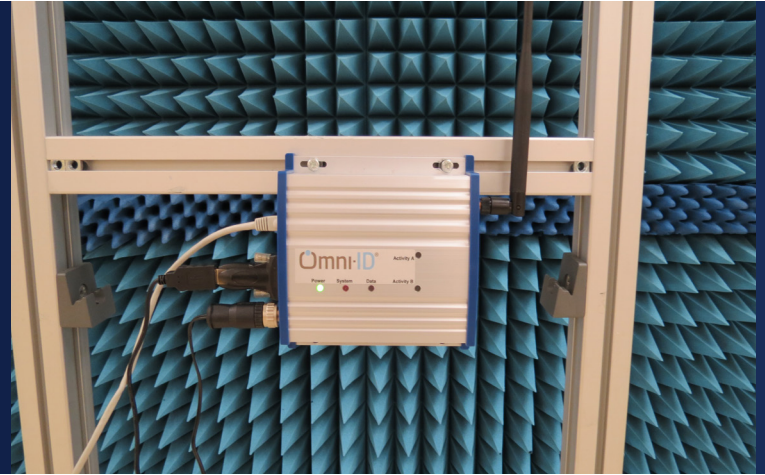
¹IEEE protocol is clearly marked on the front of the gateway.



Dimensions stated in inches

Related System Components:

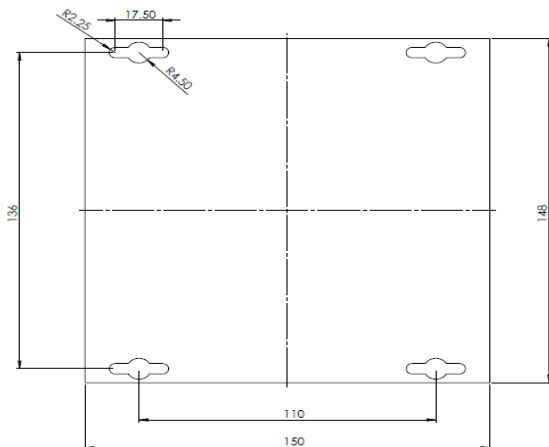
- ▶ **Omni-ID Power 415** - A rugged active tag capable of tremendous performance and exceptional distance, while tracking assets in harsh environments.
- ▶ **Omni-ID View 4 and View 3** - Electrophoretic display tags used for tagging and dynamic barcodes label tasks.



Environmental Specifications

Operating Temperature	0 to +50 °C
IP Rating	IP54 Nema 5 (dust resistant, wet wipe down)
Ruggedness	Designed for use in industrial environments. Resistant to impact and abrasion
Attachment (see image)	Screw mount via flange
Certifications	EN55022 Class A, EN50082-2 RoHS FCC Class A digital device according to FCC Part 15 and ICES-003 CE mark
Warranty	1 year

Screw Mount Attachment via Flange



Ordering Information

Order Numbers	Description
OMNI-GTW-2 ¹	Intelligent Transceiver, 2 channel, Ethernet, 433.272 MHz proprietary protocol, and 24V power to be used with the View Tags.
OMNI-GTW-2-IEEE ¹	Intelligent Transceiver, 2 channel, Ethernet, IEEE 802.15.4 protocol, and 24V power to be used with the Power 415 tags.

¹ Universal Power supply included.

Related Components

Order Numbers	Description
OMNI-AT	Asset Track software enabling reliable asset management applications
OMNI-ATM	Asset Track Mobile software enabling reliable asset management applications for mobile environments
OMNI-CDL	Connected Device License for each additional device connected to the software. One included with each application
OMNI-GTW-AMC	Gateway Annual Maintenance contract includes upgrades and fixes automatic notification, phone support, license key transfer service
OMNI-PANT	Patch Antenna
OMNI-MANT	Mobile Antenna
OMNI-DANT	Dipole Antenna

Omni-ID office locations: **US | UK | China | India | Southeast Asia**
For product or technology inquiries email: sales@omni-id.com