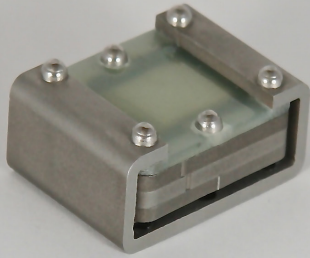


## Omni-ID® Adept 400

Designed for use in very harsh environments, the Omni-ID Adept 400 is ideal for attachment to pipes and fixed assets in remote production, extraction, and processing industrial facilities. Capable of surviving heavy impact from a sledge hammer, the Adept 400 can be attached with either a steel band or welded for long term field use.



### Applications

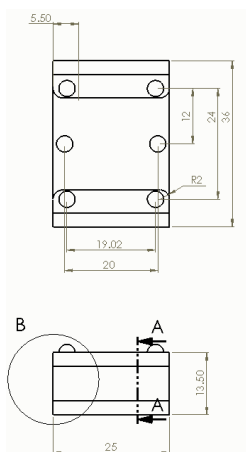
Designed for easy strap or adhesive attachment, the Omni-ID Adept 400 is perfect for industrial applications requiring high impact resistance, including MRO applications for:

- ▶ Piping
- ▶ Valves
- ▶ Processing Equipment

### Physical Specifications

Layers	5 layer	4 layer (option)
Encasement	Stainless steel with ceramic core	Stainless steel with ceramic core
Size (mm) (tolerance)	36 x 25 x 13.5 (+/-1.0)	30 x 25 x 8.2 (+/-1.0)
Size (in) (tolerance)	1.42 x 0.98 x 0.53 (+/-0.04)	1.18 x 0.98 x 0.32 (+/-0.04)
Weight (g)	58.0	35.0

### Dimensions - 5 layer (see page 2 for 4 layer drawing)



Dimensions stated in mm

### RF Specifications

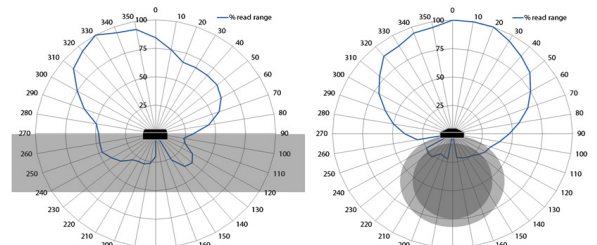
Protocol	EPC Class 1 Gen2
Frequency Range (MHz)	902-928 (US only)
Read Range (Fixed reader) <sup>1</sup>	Up to 3m (9.8ft) EU Up to 4.5m (14.7ft) US
Read Range (Handheld reader) <sup>1</sup>	Up to 1.2m (3.9ft) EU Up to 1.8m (5.9ft) US
Material Compatibility	Optimized for Metal substrates
IC Type (chip)	Alien Higgs 3
Memory <sup>2</sup>	EPC - 96bits User - 512bits Unique TID - 64bits

1. Quoted performance achieved using standard testing methodology. Read range will vary with reader hardware and output power.

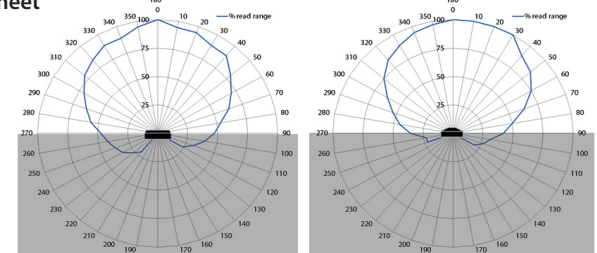
2. EPC and User memory are reprogrammable, UTID is locked at point of manufacture.

### Radiation Patterns

On Pipe



On Metal Sheet



### Related Products and Services:

- ▶ **Omni-ID Dura 600** - High performance global RFID tag designed to meet the diverse needs of logistics industries.
- ▶ **Omni-ID Adept 360°** - Extremely durable, high performance tether tag with 360° read angle for heavy industry applications.
- ▶ **Omni-ID Exo 750** - Global, long range on-metal RFID tag, in a small, square footprint, .
- ▶ **Service Bureau** - Omni-ID offers a full service bureau for printing and pre-encoding tags at point of manufacture.



### Environmental Specifications

Operating Temperature <sup>1</sup>	-20°C to +65°C
Max Temperature Exposure <sup>1</sup>	-20°C to +65°C
IP Rating	IP68
Shock and Vibration	MIL STD 810G
Impact <sup>2</sup>	Resistant to face strike with sledgehammer
Attachment	
5 layer	Steel strap or welded
4 layer	Epoxy <sup>3</sup> or welded
Certifications	RoHS approved CE approved ATEX/IECEX certified (option) US&Canada (C1D1/D2) certified (option)
Warranty	1 year

<sup>1</sup> Excludes adhesive options, consult adhesive data sheets for recommended temperature ratings.

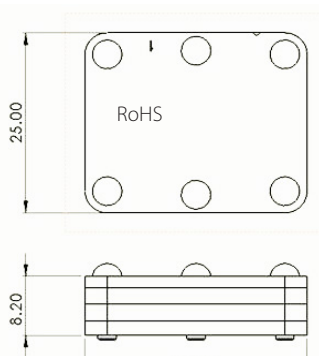
<sup>2</sup> Testing methodology available on request.

<sup>3</sup> Customer to validate their epoxy.

### Ordering Information

Order Code	080- US
Option Codes	:303 (Customization) :304 (ATEX/IECEX certified) :307 (US&Canada (C1D1/D2) certified) :523 *(Low Profile 4 layer without strap) :701 (Standard Service Bureau)

### Dimensions - 4 layer\* (see page 1 for 5 layer drawing)



Weight = 35g

Dimensions stated in mm

### Certifications:



RoHS approved  
CE approved  
ATEX/IECEX certified (option)  
US & Canada (C1D1/D2) certified (option)

Omni-ID office locations: US | UK | China | India | Germany

For product or technology inquiries email: [sales@omni-id.com](mailto:sales@omni-id.com)