



Omni-ID® Adept 800G

Omni-ID's Windshield Label Tag, the Adept 800G is the perfect solution to optimize vehicle asset management operations. When attached to glass surfaces, the superior read performance of the Adept 800G assures reliability and accuracy. The tamper-evident feature assures the label is non-transferable and cannot be removed without being destroyed.

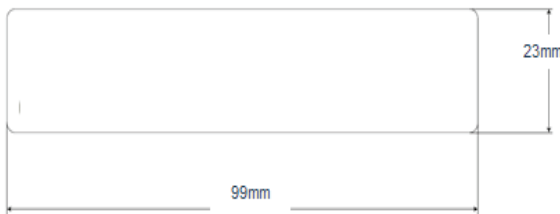
Building Intelligent Supply Chains

Vehicle asset management and control can take many forms:

- ▶ Road Toll Collection
- ▶ Parking Permits
- ▶ Vehicle Access Control
- ▶ Vehicle Registration

Physical Specifications

Material	Paper
Size (mm) (tolerance)	99 x 23 x 0.2 +/- 0.5
Size (in) (tolerance)	3.90 x 0.91 x .008 +/- 0.02
Reel Core inner diameter	76mm or 3"
Outside roll diameter	203mm or 8"
Pitch on reel	25.4mm or 1"
Weight (g)	1

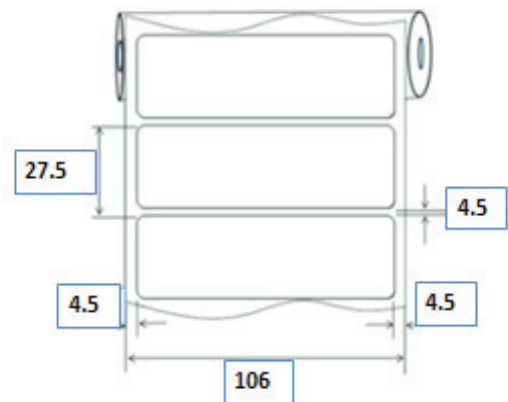


Dimensions stated in mm

RF Specifications

Protocol	EPC Class 1 Gen2
Frequency Range (MHz)	860-960MHz (global)
Read Range (Fixed reader) ¹	Up to 8.0 m (26.25ft)
Read Range (Handheld reader) ¹	Up to 5.0 m (16.5ft)
Material Compatibility	Glass
IC Type (chip)	Alien Higgs3
Memory ²	EPC - 96bit User - 512bits TID - 64bits

1. Quoted performance achieved using standard testing methodology. Read range will vary with reader hardware and output power.
2. EPC and User memory are reprogrammable, TID is locked at point of manufacture.

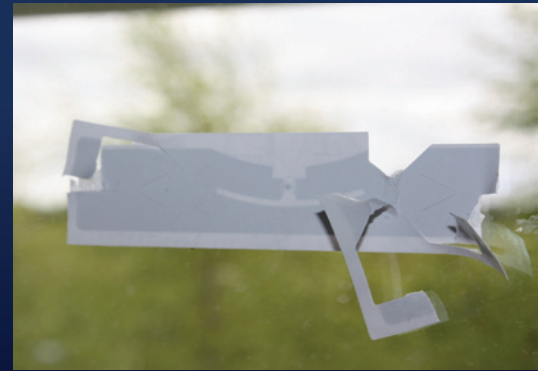


Dimensions stated in mm

Windshield Tag - Adept 800G

Options for Personalization

- ▶ Inkjet and thermal transfer printable on one side.
- ▶ Two sided artwork is a custom option to accommodate all customer needs.
- ▶ Data Encryption.
- ▶ Human readable printing (barcodes, text, etc...).
- ▶ Delivered in reel format with the ability to be encoded.



Tamper Evident Feature

Environmental Specifications

Operating Temperature -40 ° to +70°C

Long term Max Temperature¹ exposure - (days,weeks,years) +70°C

Short term Max Temperature¹ exposure - (minutes,hours) +85°C

Shock and Vibration MIL STD 810-F

Attachment Film adhesive (std)

Certifications RoHS approved
CE approved

Warranty 1 year

1. Excludes adhesive options, consult adhesive data sheets for recommended temperature ratings.
2. Testing methodology available on request

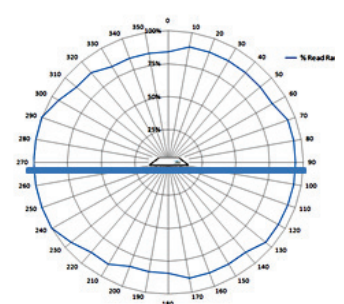
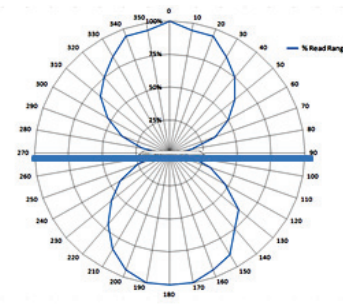
Ordering Information

Order number 076 GS
:701 (Standard Service Bureau)
:704 (Custom Service Bureau)

Supply Format 500 Labels per roll

Radiation Patterns

On Glass



Omni-ID office locations: US UK China India Southeast Asia
For product or technology inquiries email: sales@omni-id.com