

Omni-ID® Dura 1500

Omni-ID Dura 1500 is the most durable and long range tag product offering long read ranges across all geographies. Designed with heavy industry in mind, the Omni-ID Dura 1500 features extreme impact resistance and high temperature ratings, enabling it to be deployed in outdoor heavy industry environments anywhere in the world.



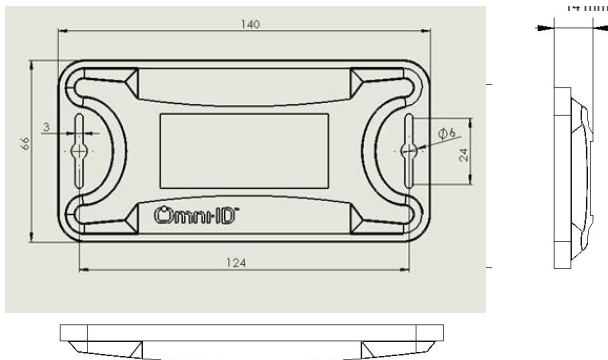
Applications

With an excellent read range across all geographic regions and a durable, high heat resistant encasement, the Dura 1500 is best suited to outdoor applications, including:

- ▶ Container tracking for yard management.
- ▶ Cargo tracking.
- ▶ Defense asset management.

Physical Specifications

Encasement	ABS or Polycarbonate
Size (mm) (tolerance)	140 x 66 x 14.0 (+/-1.0)
Size (in) (tolerance)	5.51 x 2.6 x 0.55 (+/-0.04)
Weight (g)	79.0 (ABS) 82.0 (PC)



RF Specifications

Protocol	EPC Class 1 Gen2
Frequency Range (MHz)	860–960 (global)
Read Range (Fixed reader) ¹	Up to 15.0 (global)
Read Range (Handheld reader) ¹	Up to 7.5 (global)
Material Compatibility	Optimized for metal
IC Type (chip)	Alien H3
Memory ²	EPC - 96bits User - 512bits Unique TID - 64bits

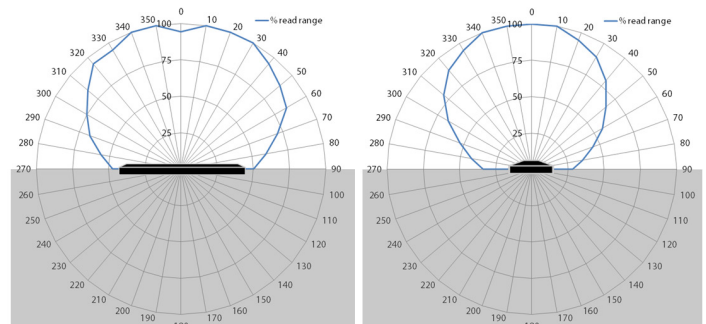
1. Quoted performance achieved using standard testing methodology. Read range will vary with reader hardware and output power.

2. EPC and User memory are reprogrammable, UTID is locked at point of manufacture.

Radiation Patterns

Large Metal

Sheet



Related Products and Services

- ▶ **Omni-ID Dura 600** - Highly durable RFID tag ideal for industrial curved assets due to its durable case for curved surfaces.
- ▶ **Omni-ID Exo 750**- Extreme durability, long range and global operability in a small, square footprint, on metal RFID tag.
- ▶ **Omni-ID Dura 3000**- Globally compliant, UHF tag with extreme read ranges up to 35m on, off or near metals and liquids.
- ▶ **Service Bureau** - Omni-ID offers a full service bureau for printing and pre-encoding Omni-ID tags at point of manufacture.



Environmental Specifications

Operating Temperature	ABS: -40 to +65 °C PC: -40 to +100 °C
Long term Max Temperature ¹ exposure - (days,weeks,years)	ABS: +65 °C PC: +100 °C
Short term Max Temperature ¹ exposure - (minutes,hours)	ABS: +75 °C PC: +120°C
IP Rating	IP68
Shock and Vibration	MIL STD 810-F
Impact ²	>25kg from 1m
Attachment	Manual (standard) Standard foam adhesive (option) Premium foam adhesive (option)
Certifications	RoHS approved CE approved ATEX/IECEX certified (option) US&Canada (C1D1/D2) certified (option)
Warranty	3 years

1. Excludes adhesive options, consult adhesive data sheets for recommended temperature ratings.
2. Testing methodology available on request.

Ordering Information

Order Numbers	008 - GS :302 (PC) :304 (ATEX/IECEX certified) :307 (US&Canada (C1D1/D2) certified) :507 (std. foam), :508 (premium foam) :701 (Standard Service Bureau) :702 (Custom Service Bureau)
---------------	--



Omni-ID office locations: US | UK | China | India | Germany
For product or technology inquiries email: sales@omni-id.com