

Link Network Gateway

Omni-ID Integrated Link Gateway provides a robust communication interface to a variety of Omni-ID's RFID tagging products – from the high performing active tags and versatile View displays to the whole range of passive RFID tags. With multiple ways to connect to your system and dual power options, the Link Network Gateway is an integral part of any tagging solution.

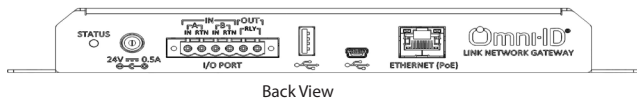
Applications

The Link Network Gateway is ideal for applications requiring asset management such as:

- ▶ Manufacturing
- ▶ Logistics
- ▶ Materials flow
- ▶ Industrial Assets Management

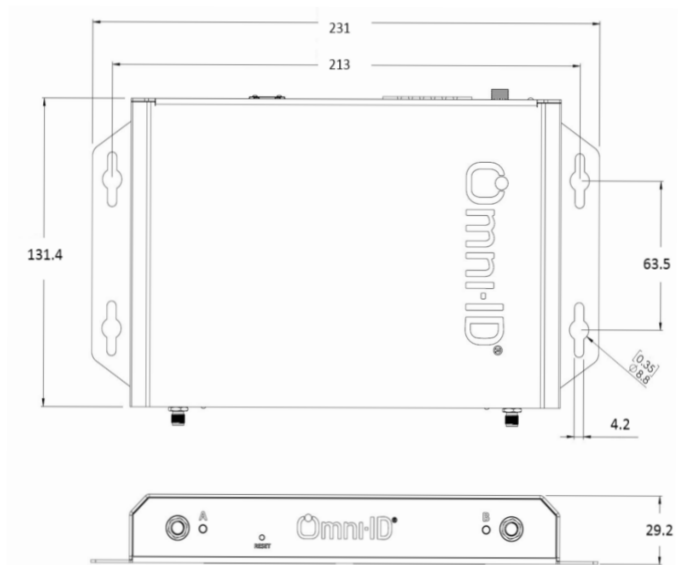
Physical Specifications

Construction	Extruded Aluminum
Size (mm)	231 x 131.4 x 29.2 includes mounting plate
Size (in)	9.09 x 5.17 x 1.15 includes mounting plate
Weight (g)	< 1 kg
Attachment	Attached mounting plate



Interfaces

Inputs (standard)	10/100 Mb Ethernet
Inputs (optional)	Wifi (802.11b/g/n)
Configuration	Via integrated USB port or remote login via Ethernet
Radio communication	Two 433.92 MHz channels standard
Radio Protocol (software selectable)	Omni-ID Proprietary (ProVIEW) IEEE 802.15.4f (receive only)
RFID (optional)	One integrated EPC Gen 2 passive RFID reader module
GPIO	2 Inputs 1 Output
Power	Dedicated DC input (6-30 V) POE



Dimensions stated in mm

Powerful Features:

- ▶ Multiple radio protocol support allows for use with ProVIEW or Power 415 tags and infrastructure.
- ▶ Supports the Omni-ID *Common Gateway Protocol* to allow seamless integration with existing Omni-ID installations.



Environmental Specifications

Storage Temperature	-40° C to +60° C
Operating Temperature	-40° C to +60° C
IP Rating	IP50 (dust resistant, wet wipe down)
Ruggedness	Designed for use in industrial environments. Resistant to impact and abrasion
Warranty	1 year

Related Components

Order Numbers	Description
OMNI-V3-G2-ACCY	View 3 Visual display tag
OMNI-V4-G2-ACCY	View 4 Visual display tag
OMNI-P400 OMNI-P415	Power 400 - Omni-ID proprietary protocol Power 415 - IEEE 802.15.4f protocol
OMNI-P60 OMNI-P65	Power 60 Personnel tag - Omni-ID proprietary protocol Power 65 Personnel tag - IEEE 802.15.4f protocol
OMNI-P100 OMNI-P115	Power 100 industrial tag - Omni-ID proprietary protocol Power 115 Industrial tag - IEEE 802.15.4f protocol
OMNI-MGW	Link Mobile Gateway(USB/Bluetooth)
OMNI-DANT	Dipole Antenna - 433 MHz
OMNI-IANT	Omni-directional Antenna - 433 MHz (horizontally polarized, omni-directional)
OMNI-PANT	Patch Antenna - 433 MHz

Certifications:

- ▶ EN55022 Class A, EN50082-2
- ▶ CSA 22.2 No. 60950-1, No. 60079-0. No. 60079-11
- ▶ UL60950-1, UL913, UL60079-0, UL60079-11
- ▶ CSA, RoHS, WEEE and REACH
- ▶ FCC Class A digital device, Part 15 and ICES-003

Ordering Information

Order Numbers	Description
OMNI-NGW-2	Omni-ID Link Network Gateway with USB, Ethernet and 2 Radio Modules

Omni-ID office locations: **US | UK | China | India | Germany**
 For product or technology inquiries email: sales@omni-id.com