



Omni-ID® TSL1166 Isolating Cone

Omni-ID's TSL1166 Isolating Cone is designed to aid the reading and encoding of Adept 400 RFID tags in densely populated environments. The cone reduces the reader's field of view such that the reader only detects the tag positioned within the aperture of the cone and not adjacent tags.¹

Applications

With its lightweight design and easy installation, the TSL1166 Isolating Cone helps operators to read and encode only a targeted Tag in densely populated environments.

Physical Specifications

Material	Aluminum
Size (mm) (tolerance)	176 × 111 × 156 +/- 0.5
Size (in) (tolerance)	6.92 × 4.37 × 6.14 +/- 0.02
Weight (g)	256 (without strap)

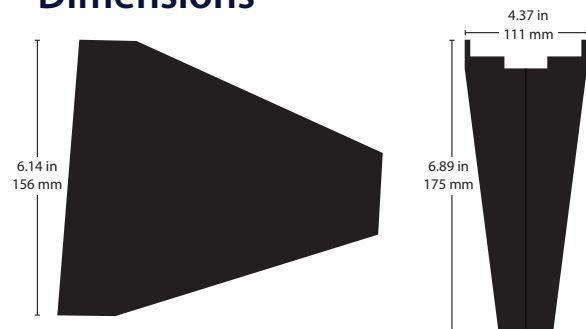
RF Specifications

Frequency Range (MHz)	866 – 928
Maximum tag to cone open end distance ²	1.5 in 38 mm
Minimum distance between tags whereby reader will only detect desired tag ²	6.0 in 152 mm
Recommended TSL1166 read power ²	19dBm
Recommended TSL1166 write power ²	25dBm
Attachment	Velcro Strap/ Resistive Fit

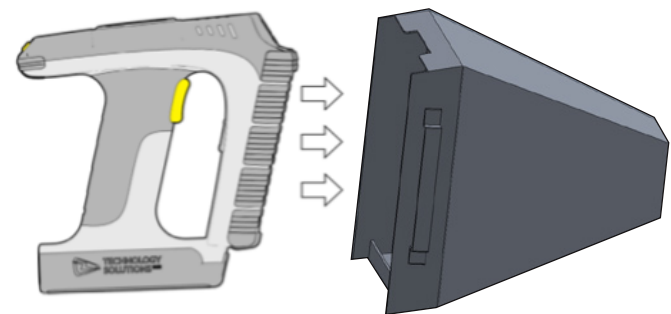
Quoted performance achieved using standard Omni-ID test methodology on aluminum test plates using Adept400GS V1.5.

1. In certain conditions operation may need to be repeated to achieve desired results
2. Settings may need to be adjusted to account for specific environment

Dimensions



Assembly



Ordering Information

Order Code	CP13960
ECCN	EAR99
HS Code	7616999099
Warranty	1 year
Country of Origin	United Kingdom

Omni-ID office locations: **US | UK | China | India**
For product or technology inquiries email: sales@omni-id.com